

MODEL**EB****Stainless Steel**

STAINLESS STEEL BI-DIRECTIONAL KNIFE GATE VALVE

The stainless steel EB model is a bi-directional full bore knife gate valve designed for general industrial service applications. The design of the body and seat assures non-clogging shut off on suspended solids in industries such as:

- Pulp & Paper
- Wastewater treatment plants
- Food and Beverage
- Chemical plants
- Fish industry
- Etc.

Sizes:

DN 50 to DN 800 (larger diameters on request)

Working pressure:

DN 50 to DN 125	16 bar
DN 150 to DN 250	10 bar
DN 300 to DN 400	6 bar
DN 450	5 bar
DN 500 to DN 600	4 bar
DN 700 to DN 800	2 bar

Standard flange connection:

EN 1092 PN 10 and ASME B16.5 (class 150)

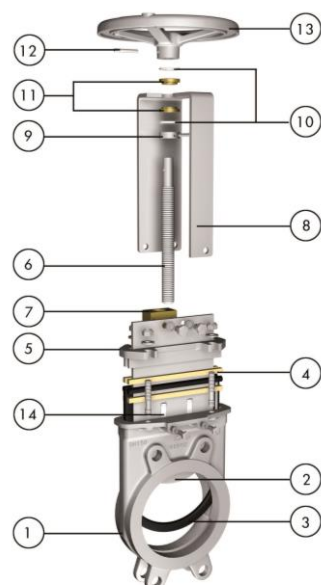
Other flange connections available on request

Directives:

For EU Directives and other Certificates, please see the document: Directives and Certificates Compliance - Knife Gate Valves - Catalogues and Datasheets

Face to face dimensions acc. to EN558-1 serie 20 (replaces K1 DIN3202) up to DN350, standard Orbinox for DN400 and above

All valves are tested prior to shipping in accordance with the standard developed by the Quality Control Department at ORBINOX.



STANDARD PARTS LIST

Part:	Stainless Steel:
1- Body	CF8M (1.4408)
2- Gate	AISI 316 (1.4401)
3- Seat	EPDM / Nitrile
4- Packing	PTFE Impreg. Synth. Fibre (ST)+O-ring
5- Gland Follower	CF8M (1.4408)
6- Stem	Stainless Steel
7- Stem Nut	Brass
8- Yoke	AISI 304 (1.4301)
9- Axial fixing bush	AISI 304 (1.4301)
10- Friction washer	PET + solid lubricant
11- Bushing	Bronze
12- Spring Pin	AISI 420 (1.4021) (ISO 8752)
13- Handwheel	Ø≤310: Aluminium (AlSi12); Ø≥410 GJS400 (GGG40)
14- Slider (up to DN300)	Nylon

MODEL**EB**

Stainless Steel

DESIGN FEATURES

BODY:

Wafer style cast monoblock design, internally machined up to DN 500, with reinforced ribs in larger diameters for extra body strength. Special design that includes a new manufacturing process, the machining of the body inside, allowing for more control in the different dimensions tolerances. This machining results in a perfect adjustment of the body with the gate and the seal, reducing the required torque to maintain the tightness and avoiding any build-up of solids that could prevent the valve from closing. The valve design allows an end-of-line installation from DN50 to DN300. The valve design changes from DN 600 and above to a two-part bolted body, also internally machined. Full port design in all cases for greater flow capacity and minimal pressure drop. The gate is guided on the whole stroke to ensure bi-directional shutoff.

GATE:

Stainless steel gate, as standard. Gate is polished on both sides for a greater seal between the gate with both the packing and the seat. Gate is fully guided in the body along the whole valve stroke in order to avoid gate fluttering and to ensure maximum tightness.

PACKING:

Standard PTFE impregnated synthetic fibre (ST) with EPDM O-ring, with an easy access packing gland ensuring a tight seal. Long-life braided packing is available in a wide range of materials.

NON RISING STEM:

The standard stainless steel stem offers a high and long corrosion resistant life.

ACTUATORS:

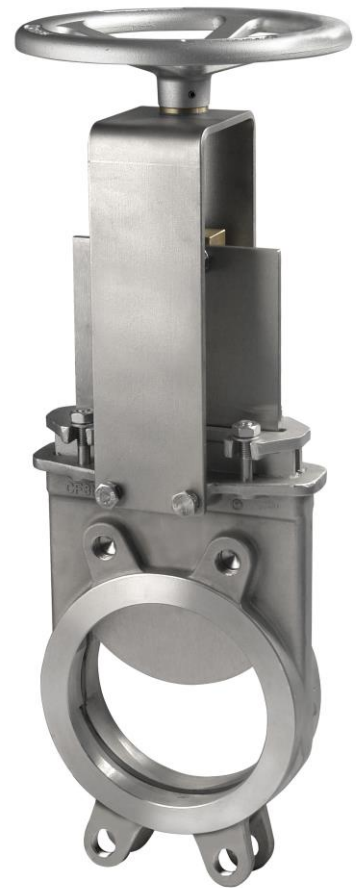
All actuators supplied by ORBINOX are interchangeable, and supplied with an standard mounting kit for installation purposes on site.

YOKE or ACTUATOR SUPPORT:

Made of stainless steel (coated steel available on request). Compact design makes it extremely robust even under the most severe conditions.

GATE SAFETY PROTECTION:

ORBINOX automated valves are provided with gate guards in accordance with EU Safety Standards. The design feature prevents any objects from being caught accidentally while the gate is moving.



MODEL

EB

Stainless Steel



OTHER OPTIONS

Other materials:

On request, following materials can be also supplied:

Body:

CF8
DUPLEX

Gate:

AISI 316 or AISI 316 Ti
DUPLEX

Stem:

AISI 316 or 316 Ti

SURFACE TREATMENTS

Valve components can be protected or coated for a longer life expectancy, depending on the application and the service conditions.

At ORBINOX we can offer treatments and coatings for the valve components to improve the properties against abrasion (Stellite, polyurethane...), against corrosion (Halar, Rilsan, galvanised...) and against adherence (polishing, PTFE...).

MODEL**EB**

Stainless Steel

ACTUATOR TYPES

MANUAL:

- Handwheel (non-rising stem)
- Handwheel (rising stem)
- Chainwheel
- Lever
- Bevel Gear
- Others (square nut...)

AUTOMATIC:

- Electric (rising & non-rising stem)
- Pneumatic (single & double-acting)
- Hydraulic

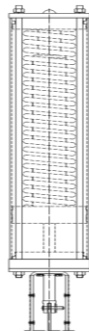
All actuators supplied by ORBINOX are interchangeable.

FAIL SAFE SYSTEMS

Used on pneumatic actuated valves

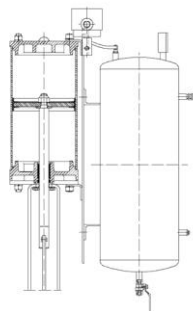
SINGLE ACTING (SPRING RETURN)

- Available from DN 50 to DN 300
- Supply pressure:
 - min. 5 bar - max. 10 bar
- Options:
 - Pneumatic or electric fail open
 - Pneumatic or electric fail close
 - Other options on request



DOUBLE ACTING WITH AIR TANK

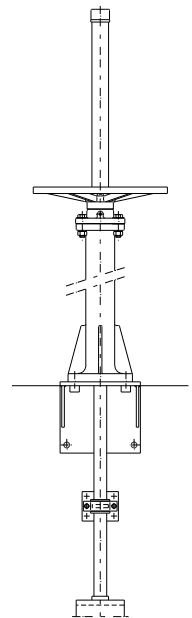
- Available for all valve sizes
- Supply pressure:
 - min. 3.5 bar - max. 10 bar
- Options:
 - Pneumatic or electric fail open
 - Pneumatic or electric fail close
 - Other options on request



ACCESSORIES

- Mechanical stops
- Locking device
- Manual override
- Solenoid valves
- Positioners
- Limit switches
- Proximity switches
- Floor stands
- Stem extensions

Wide range of valve extensions available



For further information about fail safe systems and valve extensions, please see EX catalogue

For more detailed information, please contact our Technical Department

MODEL**EB**

Stainless Steel

TEMPERATURE CHART

SEAT / SEALS

Material	Max.Temp.(°C)	Applications
EPDM (E)	120	Acid and non mineral oils.
NBR (N)	120	Resistance to petroleum products.
On request:		
FKM-FPM (V)	200	Chemical service / High temp.

More details and other materials on request

PACKING

Material	Max.Temp.(°C)	pH
PTFE impregn.synth fibre (ST)	250	2 - 13
Dynapack (DP)	270	2 - 14
Braided PTFE (TH)	260	0 - 14

NOTE: All types include an elastomere O-ring (same material as seal), excluding TH. Standard packing: ST

SEAT TYPES

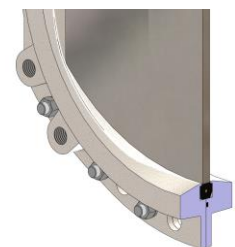
RESILIENT SEAT

This is the standard seat. The joint is seated on the body, fitted with a metallic core, in contact with the gate all over its perimeter. This layout provides an adequate watertightness and seamless liquid flow on both ways, avoiding at the same time any build-up of solids that would prevent the valve from closing. The o-ring is protected by the body itself.

* DN50-500: Moulded seal with an internal steel core



* DN ≥ 600: Extruded seal with an internal steel wire

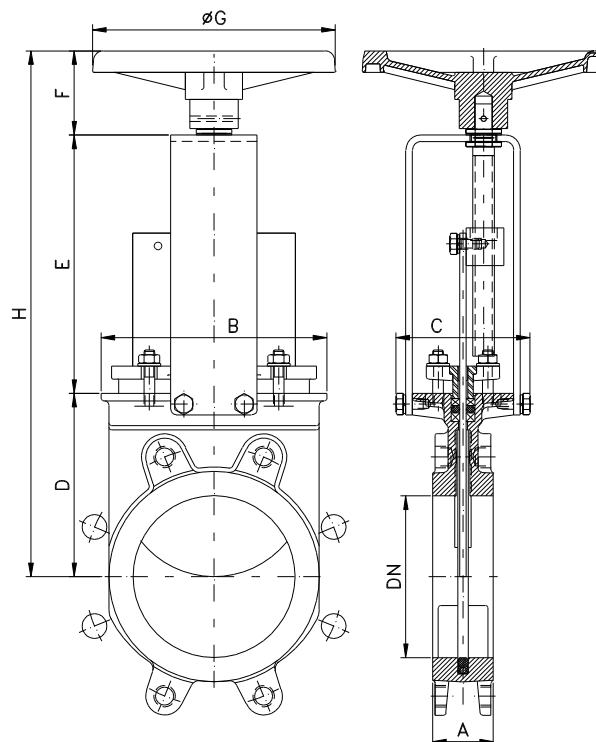


MODEL**EB**

Stainless Steel

HANDWHEEL (non-rising stem)

- Standard manual actuator
- Consists of:
 - Handwheel
 - DN 50-300: Aluminium
 - DN \geq 350: GJS400 (GGG40)
 - Stem
 - Yoke bushing
 - Stem nut fixed to the gate
- Available from DN 50 to DN 600
- Options (on request):
 - Locking Device
 - Extension and floor stand
 - Square Nut Drive

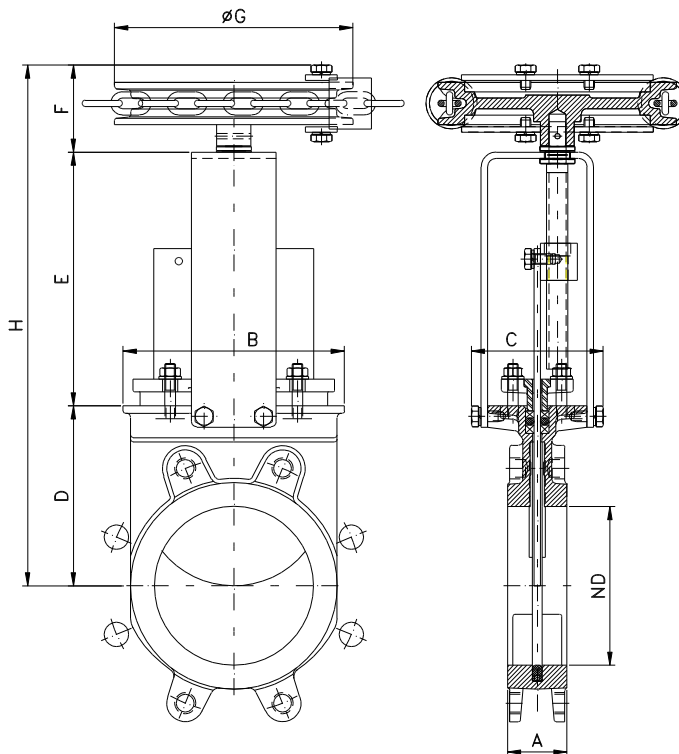


DN	A	B	C	D	E	F	ØG	H	Weight (kg.)
50	43	113	124	105	144	63	225	312	8
65	46	128	124	115	161	63	225	339	9
80	46	143	124	124	177	63	225	364	10
100	52	162	124	140	202	63	225	405	12
125	56	181	124	150	226	63	225	439	15
150	56	209	124	170	252	63	225	485	17
200	60	263	142	205	317	73	310	595	30
250	68	315	142	250	372	73	310	695	42
300	78	370	142	290	422	73	310	785	60
350	78	420	197	325	509	98	410	932	90
400	89	478	197	360	559	98	410	1017	140
450	89	530	201	410	611	98	550	1119	185
500	114	584	201	450	671	98	550	1219	204
600	114	762	201	510	771	98	550	1379	230

A: EN558-1 series 20 up to DN350

CHAINWHEEL (non-rising stem)

- Recommended for elevated installations
- Consists of:
 - Chainwheel: Epoxy coated Cast Iron
 - Stem
 - Yoke bushing
 - Stem nut
- Available from DN 50 to DN 600
- Options (on request):
 - Locking Device
 - Extensions and floor stand



DN	A	B	C	D	E	F	ØG	H
50	43	113	124	105	144	82	225	331
65	46	128	124	115	161	82	225	358
80	46	143	124	124	177	82	225	383
100	52	162	124	140	202	82	225	424
125	56	181	124	150	226	82	225	458
150	56	209	124	170	252	82	225	504
200	60	263	142	205	317	88	300	610
250	68	315	142	250	372	88	300	710
300	78	370	142	290	422	88	300	800
350	78	420	197	325	509	98	454	932
400	89	478	197	360	559	98	454	1017
450	89	530	201	410	611	98	454	1119
500	114	584	201	450	671	98	454	1219
600	114	762	201	510	771	98	454	1379

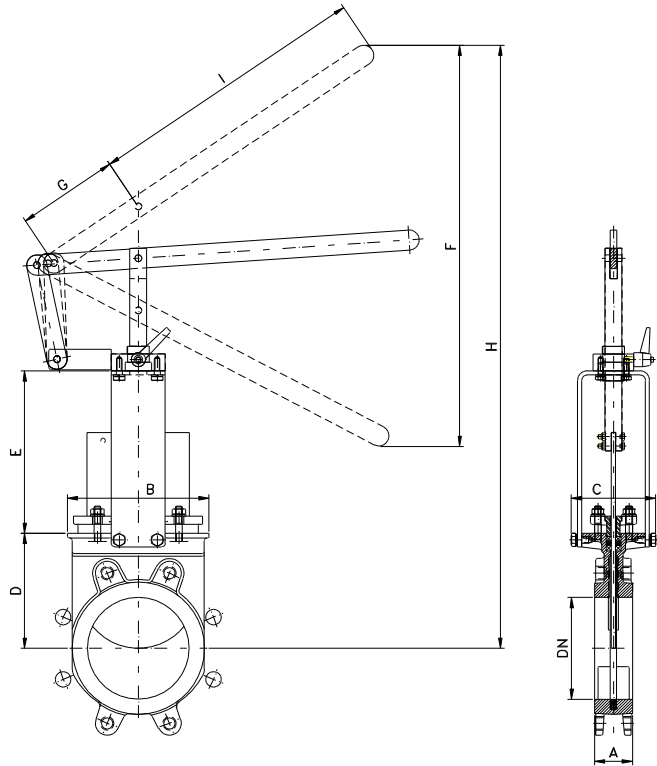
A: EN558-1 series 20 up to DN350

MODEL**EB**

Stainless Steel

LEVER

- Recommended for quick opening and closing
- Consists of:
 - Lever
 - Stem
 - Yoke sleeve
 - Lever lock
- Available from DN 50 to DN 150

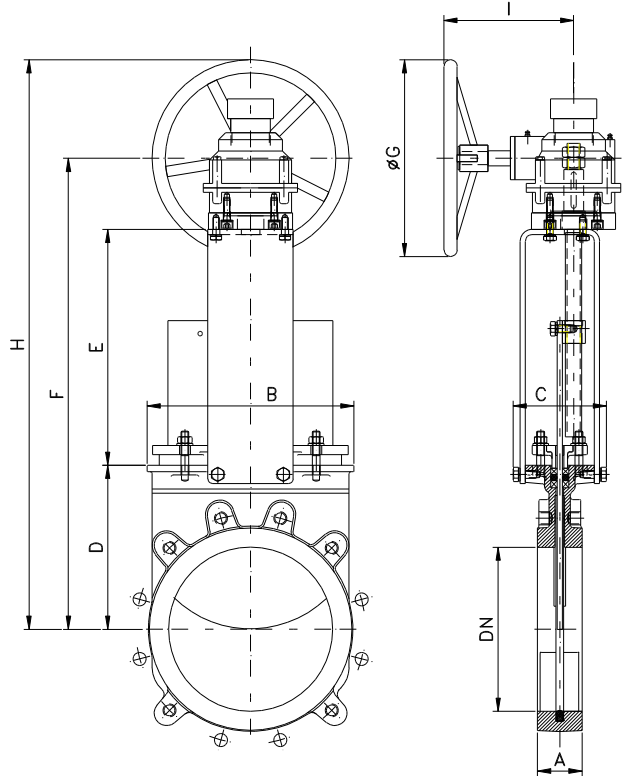


DN	A	B	C	D	E	F	G	H	I
50	43	113	124	105	132	242	150	410	315
65	46	128	124	115	149	245	150	437	315
80	46	143	124	124	165	287	150	510	315
100	52	162	124	140	190	415	150	633	415
125	56	181	124	150	214	503	150	755	415
150	56	209	124	170	240	592	150	890	415

A: EN558-1 series 20

GEAR (non-rising stem)

- Recommended for valves larger than DN 350 and working pressures greater than 3,5 bar
- Consists of:
 - Stem
 - Yoke
 - Bevel Gear Actuator with Handwheel (Standard Ratio 4:1)
- Available from DN 200 to DN 800
- Options:
 - Locking device
 - Extension and floor stand
 - Chainwheel
 - Rising stem

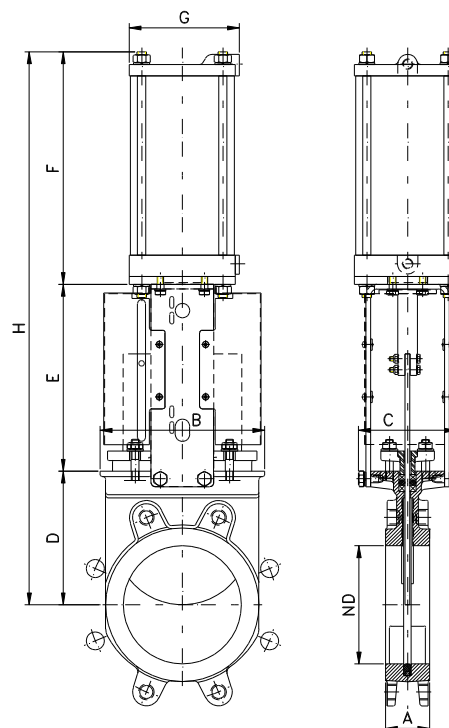


DN	A	B	C	D	E	F	ØG	H	I
200	60	263	142	205	305	580	300	730	200
250	68	315	142	250	360	680	300	830	200
300	78	370	142	290	410	770	300	920	200
350	78	420	197	325	490	890	450	1115	262
400	89	478	197	360	540	975	450	1200	262
450	89	530	201	410	592	1077	450	1305	262
500	114	584	201	450	652	1177	450	1405	262
600	114	762	201	510	755	1340	450	1565	262
700	114	890	398	610	900	1622	450	1847	308
800	117	1012	320	700	971	1782	650	2007	308

A: EN558-1 series 20 up to DN350

PNEUMATIC CYLINDER

- The standard pneumatic actuator (double acting on-off cylinder) consists of:
 - $\varnothing \leq 300$: Aluminium barrel
 - $\varnothing \geq 350$: Composite barrel
 - Aluminium end covers
 - Stainless Steel (AISI 304) piston rod
 - Nitrile coated steel piston
- Available from DN 50 to DN 800
- Actuator sized for 6 bar air supply
- For valves installed in horizontal position, we recommend U-type support plates and/or actuator support
- Options (on request):
 - Hard anodized barrel and covers
 - Stainless Steel barrel and covers
 - Over / Undersized cylinder
 - Manual override
 - Fail safe system
 - Limit switches
- Instrumentation (on request):
 - Positioners - Flow regulators
 - Solenoid valves - Air preparation units



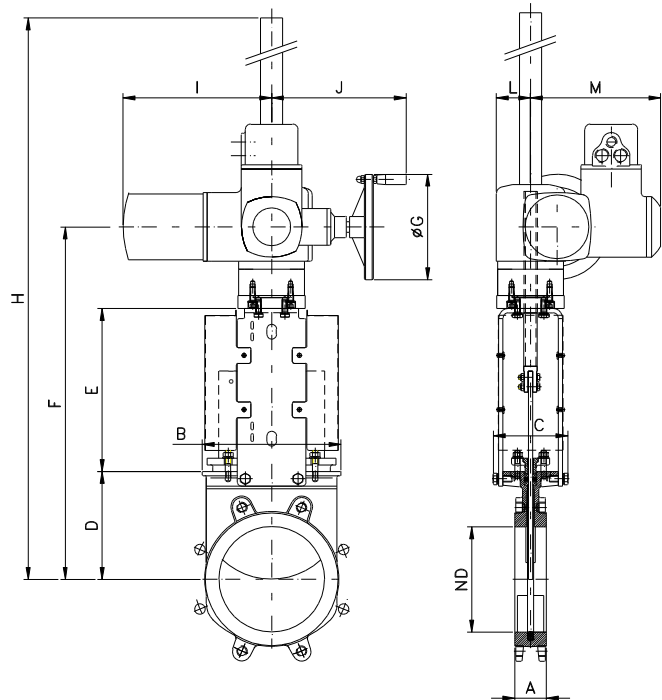
DN	A	B	C	D	E	F	G	H	Weight (kg.)	Standard Cyl	Connect.
50	43	113	124	105	129	178	115	412	9	C100/62	1/4" G
65	46	128	124	115	146	193	115	454	10	C100/77	1/4" G
80	46	143	124	124	162	211	115	497	11	C100/95	1/4" G
100	52	162	124	140	187	231	115	558	13.5	C100/115	1/4" G
125	56	181	124	150	211	271	140	632	19	C125/143	1/4" G
150	56	209	124	170	237	296	140	703	22	C125/168	1/4" G
200	60	263	142	205	309	358	175	872	47	C160/220	1/4" G
250	68	315	142	250	364	428	220	1042	58	C200/270	3/8" G
300	78	370	142	290	414	478	220	1182	84	C200/320	3/8" G
350	78	420	197	325	500	549	277	1374	130	C250/375	3/8" G
400	89	478	197	360	550	599	277	1509	181	C250/425	3/8" G
450	89	530	201	410	598	680	382	1688	235	C300/475	1/2" G
500	114	584	201	450	658	730	382	1838	302	C300/525	1/2" G
600	114	762	201	510	758	830	382	2098	315	C300/625	1/2" G
700	114	890	380	601	875	985	444	2461	480	C350/730	3/4" G
800	117	1012	320	695	974	1035	444	2704	585	C350/830	3/4" G

A: EN558-1 series 20 up to DN350

MODEL**EB****Stainless Steel**

ELECTRIC ACTUATOR (rising stem)

- Consists of:
 - Electric motor
 - Motor support yoke flange acc. to ISO 5210 / DIN 3338
- The standard electric motor is equipped with:
 - Manual emergency operation
 - Limit switches (open/closed)
 - Torque switches
- Available from DN 50 to DN 800
- For valves installed in horizontal position, we recommend U-type support plates and/or actuator support
- Wide range of types and brands available to meet customer's needs



DN	A	B	C	D	E	F	ØG	H	I	J	L	M	StemØxpitch	Torque (Nm)
50	43	113	124	105	129	377	160	532	265	249	62	238	20 x 4	10
65	46	128	124	115	146	404	160	600	265	249	62	238	20 x 4	10
80	46	143	124	124	162	429	160	674	265	249	62	238	20 x 4	10
100	52	162	124	140	187	470	160	665	265	249	62	238	20 x 4	10
125	56	181	124	150	211	504	160	700	265	249	62	238	20 x 4	15
150	56	209	124	170	237	550	160	1120	265	249	62	238	20 x 4	20
200	60	263	142	205	309	657	160	1237	265	249	62	238	25 x 5	30
250	68	315	142	250	364	757	160	1337	265	249	62	238	25 x 5	45
300	78	370	142	290	414	847	160	1427	265	249	62	238	25 x 5	40
350	78	420	197	325	500	955	200	1535	283	254	65	248	35 x 6	70
400	89	478	197	360	550	1040	200	1620	283	254	65	248	35 x 6	90
450	89	530	270	410	598	1129	200	1724	283	254	65	248	35 x 6	110
500	114	684	270	450	658	1238	200	1833	283	254	65	248	35 x 6	95
600	114	762	270	503	758	1376	315	2093	389	336	91	286	35 x 6	140
700	114	890	380	610	875	1660	315	2800	389	336	91	285	40 x 7	120
800	117	1012	320	695	979	1849	315	2989	389	336	91	286	50 x 8	180

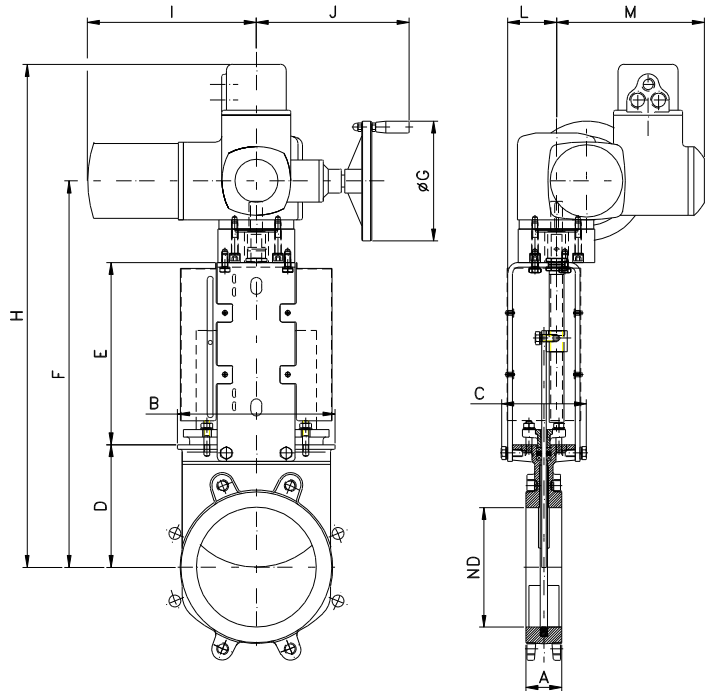
A: EN558-1 series 20 up to DN350

Maximum pressure torque in clean water at room temperature

MODEL**EB****Stainless Steel**

ELECTRIC ACTUATOR (non-rising stem)

- Consists of:
 - Electric motor
 - Motor support yoke flange acc. to ISO 5210 / DIN 3338
- The standard electric motor is equipped with:
 - Manual emergency operation
 - Limit switches (open/closed)
 - Torque switches
- Available from DN 50 to DN 800
- For valves installed in horizontal position, we recommend U-type support plates and/or actuator support
- Wide range of types and brands available to meet customer's needs






DN	A	B	C	D	E	F	ØG	H	I	J	L	M	StemØxpitch	Torque (Nm)
50	43	113	124	105	132	370	160	545	265	249	72	238	20 x 3	10
65	46	128	124	115	149	397	160	572	265	249	72	238	20 x 3	10
80	46	143	124	124	165	422	160	597	265	249	72	238	20 x 3	10
100	52	162	124	140	190	463	160	638	265	249	72	238	20 x 3	10
125	56	181	124	150	214	497	160	672	265	249	72	238	20 x 3	15
150	56	209	124	170	240	543	160	718	265	249	72	238	20 x 3	20
200	60	263	142	205	335	681	160	856	265	249	82	238	25 x 5	30
250	68	315	142	250	360	751	160	926	265	249	82	238	25 x 5	45
300	78	370	142	290	410	841	160	1016	265	249	82	238	25 x 5	40
350	78	420	197	325	487	925	200	1100	283	254	128	248	35 x 6	70
400	89	478	197	360	537	1010	200	1185	283	254	128	248	35 x 6	90
450	89	530	270	410	589	1112	200	1287	283	254	130	248	35 x 6	110
500	114	684	270	450	649	1212	200	1387	283	254	130	248	35 x 6	95
600	114	762	270	503	813	1500	315	1685	389	336	130	286	35 x 6	140
700	114	890	380	610	890	1680	315	1865	389	336	202	285	40 x 7	120
800	117	1012	320	695	980	1855	315	2040	389	336	202	286	50 x 8	180

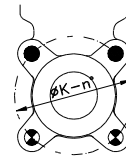
A: EN558-1 series 20 up to DN350

Maximum pressure torque in clean water at room temperature

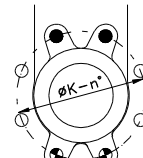
FLANGE AND BOLTING DETAILS

EN 1092 PN 10

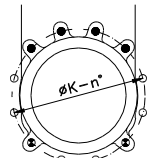
DN	K	n°	M	T	  
50	125	4	M-16	10	2 - 2 - 0
65*	145	4	M-16	10	2 - 2 - 0
80	160	8	M-16	12	2 - 2 - 4
100	180	8	M-16	12	2 - 2 - 4
125	210	8	M-16	14	2 - 2 - 4
150	240	8	M-20	14	2 - 2 - 4
200	295	8	M-20	14	2 - 2 - 4
250	350	12	M-20	18	4 - 2 - 6
300	400	12	M-20	21	4 - 2 - 6
350	460	16	M-20	21	6 - 4 - 6
400	515	16	M-24	28	8 - 0 - 8
450	565	20	M-24	30	10 - 0 - 10
500	620	20	M-24	40	12 - 2 - 6
600	725	20	M-27	26	12 - 0 - 8
700	840	24	M-27	28	16 - 0 - 8
800	950	24	M-30	24	16 - 0 - 8



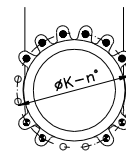
DN 50-65



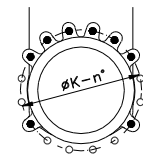
DN 80-200



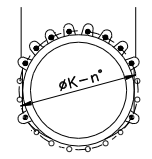
DN 250-300



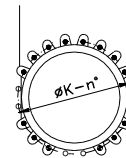
DN 350



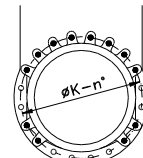
DN 400



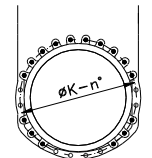
DN 450



DN 500






DN 600

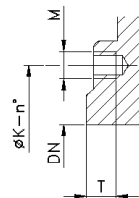





DN 700-800

* Flange drilling of DN-65 PN10/16 according to EN1092 allow 4 or 8 drills. ORBINOX designs of DN-65 PN10/16 have 4 drills

ASME B16.5, class 150

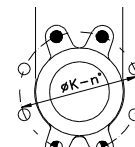
DN	K	n°	M	T	  
2"	4 3/4"	4	5/8" - 11 UNC	3/8"	2 - 2 - 0
2 1/2"	5 1/2"	4	5/8" - 11 UNC	3/8"	2 - 2 - 0
3"	6"	4	5/8" - 11 UNC	3/8"	2 - 2 - 0
4"	7 1/2"	8	5/8" - 11 UNC	3/8"	2 - 2 - 4
5"	8 1/2"	8	3/4" - 10 UNC	3/8"	2 - 2 - 4
6"	9 1/2"	8	3/4" - 10 UNC	1/2"	2 - 2 - 4
8"	11 3/4"	8	3/4" - 10 UNC	1/2"	2 - 2 - 4
10"	14 1/4"	12	7/8" - 9 UNC	3/4"	4 - 2 - 6
12"	17"	12	7/8" - 9 UNC	3/4"	4 - 2 - 6
14"	18 3/4"	12	1" - 8 UNC	7/8"	4 - 2 - 6
16"	21 1/4"	16	1" - 8 UNC	1"	8 - 0 - 8
18"	22 3/4"	16	1 1/8" - 7 UNC	1"	8 - 0 - 8
20"	25"	20	1 1/8" - 7 UNC	1"	12 - 2 - 6
24"	29 1/4"	20	1 1/4" - 7 UNC	1"	12 - 0 - 8



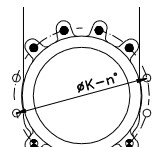
-  BLIND TAPPED HOLES
-  TAPPED THROUGH
-  THROUGH HOLES



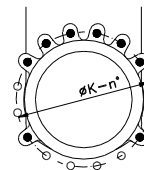
DN 2" - 3"



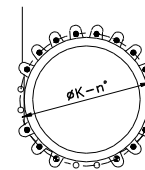
DN 4" - 8"



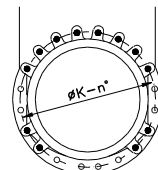
DN 10" - 14"



DN 16" - 18"



DN 20"



DN 24"

Bigger on request