

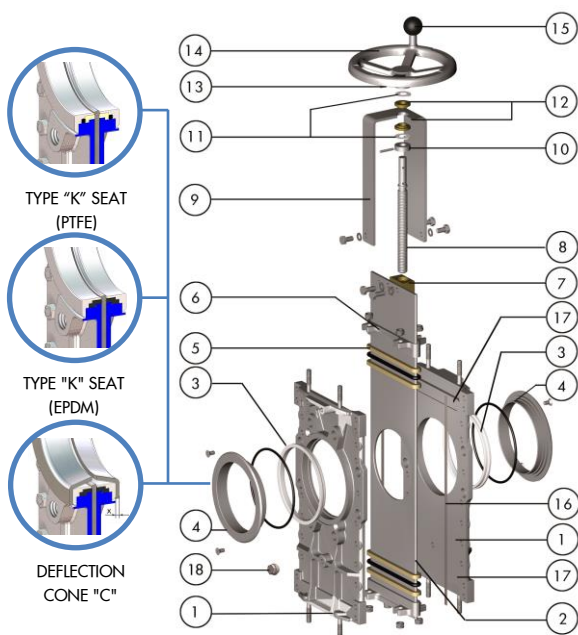
The TK model knife gate valve is a bi-directional wafer type through-conduit high performance valve designed for media with high consistency. The double seat design assures a non-clogging shut off with suspended solids in both flow directions. The valve is used in a wide range of demanding applications in industries such as Pulp & Paper, Wastewater Treatment Plants, Chemical Plants, Power Plants, etc.

Product description:

- Bi-directional wafer type through-conduit high performance knife gate valve
- Size range of DN50-900 (larger sizes upon request). See Dimension Charts for pressure rating
- Non-rising stem configuration
- Standard flange connection: EN 1092 PN10 and ASME B16.5 (class 150)
Others available upon request
- Manual (handwheel and bevel gear), pneumatic (single and double-acting), electric and hydraulic actuation options available
- For EU Directives and other Certificates, please see the document: Directives and Certificates Compliance - Knife Gate Valves - Catalogues and Datasheets

Features:

- Wafer type cast two-part bolted body. Glass filled PTFE sliders included for a smoother gate traveling
- Full port design for greater flow capacity and minimal pressure drop
- Stainless steel o-port design through-going gate, polished both sides to avoid jamming and seat damage
- Cast stainless steel seat ring, easily replaceable, that mechanically locks the seat. Standard PTFE + NBR O-ring, also available in other materials. EPDM seat and deflection cones available
- Dual packing with easy access and adjustable packing glands. Long life multiple graphite imp. PTFE & aramid yarn combination with elastomeric core and EPDM o-ring. Wide range of materials available
- RAL-5015 blue epoxy-coating on all cast iron/carbon steel components
- Automated valves provided with gate guards in accordance with EU Safety Standards
- Other options: bonnets, diamond-ports, special materials, fabricated valves, etc.
- Actuation accessories: limit & proximity switches, mechanical stops, positioners, solenoid valves, manual overrides, locking devices, fail safe systems, stem extensions and floor stands

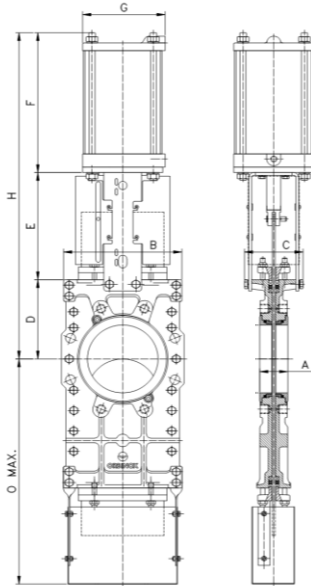
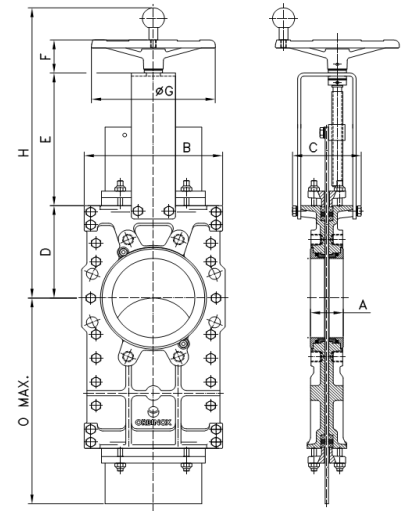


STANDARD PARTS LIST

Part	Material
1 Body	CF8M (1.4408)
2 Gate	AISI 316 (1.4401)
3 Seat	PTFE + O-ring
4 "K" Ring	CF8M (1.4408)
5 Packing	Dynapack + EPDM O-ring
6 Gland Follower	CF8M (1.4408)
7 Stem nut	Brass
8 Stem	Stainless Steel
9 Yoke	AISI 304 (1.4301)
10 Axial Fixing Bush	AISI 304 (1.4301)
11 Friction washer	PET + solid lubricant
12 Bushing	Bronze
13 Spring Pin	AISI 420 (1.4021) (ISO 8752)
14 Handwheel	Ø≤310: Alum. (AlSi12) / Ø≥410 GJS400 (GGG40)
15 Knob	Black bakelite
16 Gasket	DN 80-200: Graphite / DN250-900: NBR
17 Sliders	Glass filled PTFE
18 Cap	AISI 316 (1.4401)

DIMENSIONS (mm) Handwheel Non Rising Stem

DN	Pressures	A	B	C	D	E	F	ØG	H	O max.	Weight (kg.)
50	10 bar	41	152	125	110	144	63	225	317	232	12
65	10 bar	41	167	125	115	161	63	225	339	255	14
80	10 bar	51	192	125	124	177	63	225	425	312	17
100	10 bar	51	212	125	140	202	63	225	466	367	22
125	10 bar	56	226	125	150	226	63	225	500	432	31
150	10 bar	60	251	125	175	252	63	225	551	497	37
200	10 bar	60	304	142	205	317	73	310	656	637	75
250	10 bar	69	366	142	245	372	73	310	756	777	100
300	6 bar*	78	425	142	280	422	73	310	856	907	170
350	6 bar*	78	480	197	320	515	98	410	994	1047	200
400	6 bar*	89	543	197	350	559	98	410	1068	1171	290
450	6 bar*	89	656	201	420	611	98	550	1190	1301	405
500	6 bar*	114	740	320	485	671	98	550	1315	1573	750
600	6 bar*	122	836	320	530	771	98	550	1460	1830	790



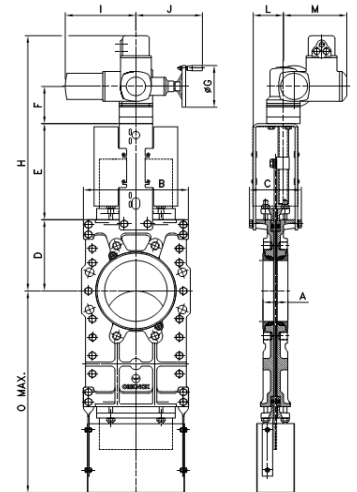
DIMENSIONS (mm) Pneumatic Actuator (D/A)

DN	Pressures	A	B	C	D	O max.	E	F	G	H	Weight (kg.)	Standard Cyl.	Connect.
50	10 bar	41	152	100	110	232	129	178	115	417	14	C100/62	1/4" G
65	10 bar	41	167	100	115	255	146	193	115	454	16	C100/77	1/4" G
80	10 bar	51	192	125	124	312	162	211	115	497	19	C100/95	1/4" G
100	10 bar	51	212	125	140	367	187	231	115	558	25	C100/115	1/4" G
125	10 bar	56	226	125	150	432	211	271	140	632	36	C125/143	1/4" G
150	10 bar	60	251	125	175	497	237	310	140	722	43	C160/168	1/4" G
200	10 bar	60	304	142	205	637	309	358	175	872	86	C160/220	1/4" G
250	10 bar	69	366	185	245	777	364	428	220	1037	116	C200/270	3/8" G
300	6 bar*	78	425	185	280	907	414	478	220	1172	188	C200/320	3/8" G
350	6 bar*	78	480	270	320	1047	520	549	277	1389	233	C200/375	3/8" G
400	6 bar*	89	543	270	350	1171	577	599	277	1526	324	C250/425	3/8" G
450	6 bar*	89	656	270	420	1301	608	680	382	1708	455	C250/475	3/8" G
500	6 bar*	114	740	320	485	1573	671	692	382	1848	800	C300/525	1/2" G
600	6 bar*	122	836	320	530	1830	760	880	444	2170	960	C350/625	3/4" G
700	6 bar*	128	940	320	650	2005	855	980	444	2485	2000	C350/730	3/4" G
800	6 bar*	128	1030	320	630	2340	1085	1090	515	2805	2600	C400/830	3/4" G
900	6 bar*	128	1170	320	775	2595	1298	1197	515	3270	3200	C400/930	3/4" G

Actuator designed with 6 bar air supply and for standard catalogue differential pressure

DIMENSIONS (mm) Electric Non Rising Stem

DN	Pressures	A	B	C	D	E	F	ØG	H	O max.	I	J	L	M	Stem Ø x pitch	Torque (Nm)
50	10 bar	41	152	125	110	129	143	160	592	232	265	249	72	238	20 x 3	10
65	10 bar	41	167	125	115	146	143	160	614	255	265	249	72	238	20 x 3	10
80	10 bar	51	192	125	124	162	143	160	639	312	265	249	72	238	20 x 3	10
100	10 bar	51	212	125	140	187	143	160	680	367	265	249	72	238	20 x 3	15
125	10 bar	56	226	125	150	211	143	160	714	432	265	249	72	238	20 x 3	20
150	10 bar	60	251	125	175	237	143	160	765	497	265	249	72	238	25 x 4	35
200	10 bar	60	304	142	205	309	143	160	867	637	265	249	72	238	25 x 4	40
250	10 bar	69	366	185	245	364	155	200	979	777	283	254	82	248	25 x 4	60
300	6 bar*	78	425	185	280	414	155	200	1059	907	283	254	82	248	35 x 6	80
350	6 bar*	78	480	270	320	520	155	200	1180	1047	283	254	128	248	35 x 6	95
400	6 bar*	89	543	270	350	577	158	315	1273	1171	389	336	130	286	35 x 6	130
450	6 bar*	89	656	270	420	608	153	315	1401	1301	389	336	130	286	40 x 7	160
500	6 bar*	114	740	320	485	671	158	315	1656	1573	389	336	130	286	40 x 7	190
600	6 bar*	122	836	320	530	760	158	315	1641	1830	389	336	130	286	40 x 7	220
700	6 bar*	128	940	320	650	855	175	500	1885	2005	389	340	190	286	50 x 8	320
800	6 bar*	128	1030	320	630	955	175	500	2105	2340	389	340	190	286	50 x 8	400
900	6 bar*	128	1170	320	775	1055	210	500	2375	2595	510	355	190	330	60 x 9	550



* 8 bar with duplex gate