

MODEL**3/4V**

3 & 4 WAY DIVERTER VALVES

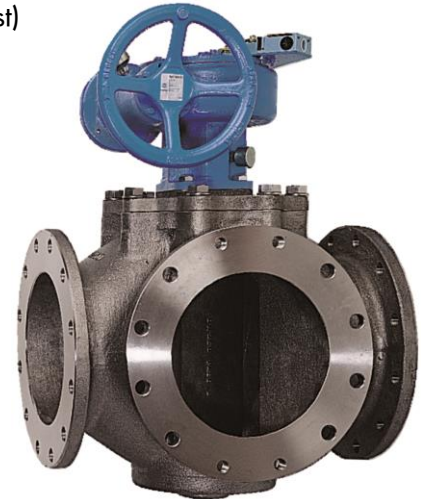
The 3V and 4V models are diverter valves designed to handle solid loaded fluids. Mainly used for pulp stock in the Pulp and Paper industry.

Sizes: DN 80 to DN 300 (larger diameters on request)

Working pressure: DN 80 to DN 300: 10 bar

Standard actuator:
 Handwheel w/ Bevel gear
 Pneumatic double acting
 Other: Electric actuator

Standard flange connection:
 DIN PN 10 and
 ANSI B16.5 (class 150)
 Other connections on request



All valves are tested prior to shipping in accordance with the standard developed by the Quality Control Department at ORBINOX.

STANDARD PARTS LIST

Part:	Cast Iron:	Stainless steel:
Body	GJL 250 (GG25)	CF8M
Cover	GJL 250 (GG25)	CF8M
Plug	AISI 304	AISI 316
Seat	Metal/Metal	

DESIGN FEATURES

BODY:

Cast monoblock design with reinforced ribs in larger diameters for extra body strength. Internal design avoids any build up of solids that would prevent valve from closing.

PLUG:

Cast machined stainless steel ensures tight shut-off to the pulp with consistency equal or higher than 4%. Guided by a nylon bearing, designed to avoid jamming, permits several positions, including central passage in some models.

EPOXY COATING:

The epoxy coating on all ORBINOX cast iron and carbon steel valve bodies and components are electrostatically applied making the valves to be corrosion resistant with a high quality finished surface. The ORBINOX standard colour is RAL-5015 blue.

OTHER MATERIALS:

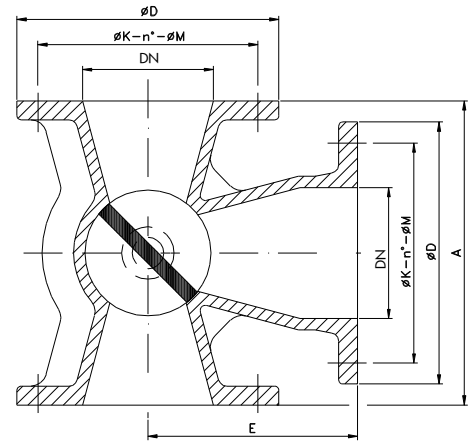
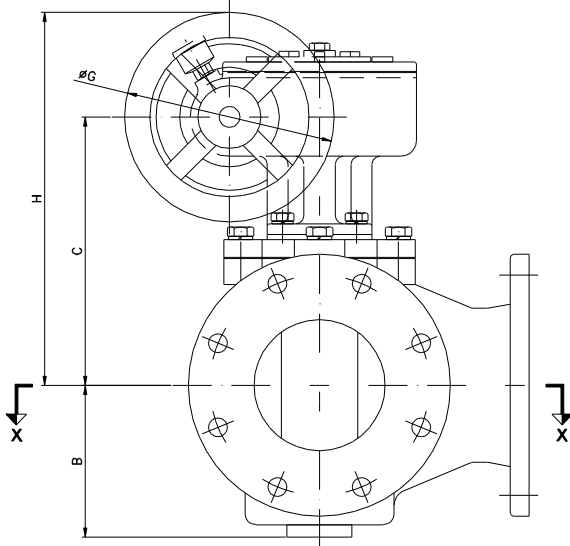
RILSAN coating and other materials (carbon steel, stainless steels, special alloys,...) for body and plug are available on request.

MODEL

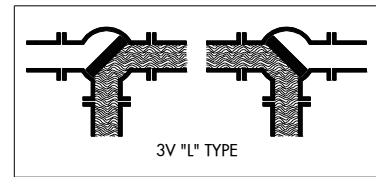
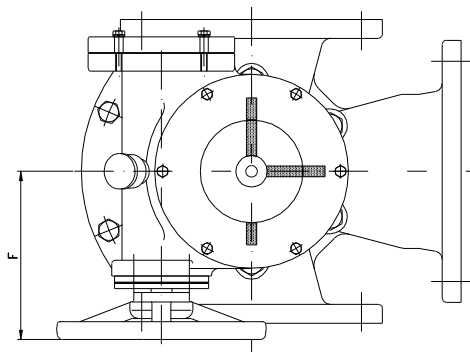
3/4V



3V TYPE "L"



SECTION X-X



3V "L" TYPE

DN	A	B	C	ØD	E	F	ØG	H
80	200	127	250	200	137,5	192	225	350
100	250	128	250	220	162,5	192	225	350
125	290	145	265	250	200	192	225	365
150	290	165	285	285	200	192	225	385
200	345	210	335	340	225	192	225	435
250	415	250	425	395	272,5	180	225	550
300	470	294	450	445	287,5	180	225	575

Reserves the right to change specifications without notice

ORBINOX S.A. Pol. Ind. s/n-20270 ANOETA (Spain) Tel.: +34 943 698030 - Fax: +34 943 653066 e-mail:orbinox@orbinox.com www.orbinox.com
 ORBINOX CANADA, ORBINOX USA, ORBINOX BRAZIL, ORBINOX CHILE, ORBINOX PERU, ORBINOX SPAIN, ORBINOX UK, ORBINOX FRANCE, ORBINOX GERMANY, ORBINOX INDIA, ORBINOX CHINA, ORBINOX S.E.A.

OBX 01/20

Rev.2

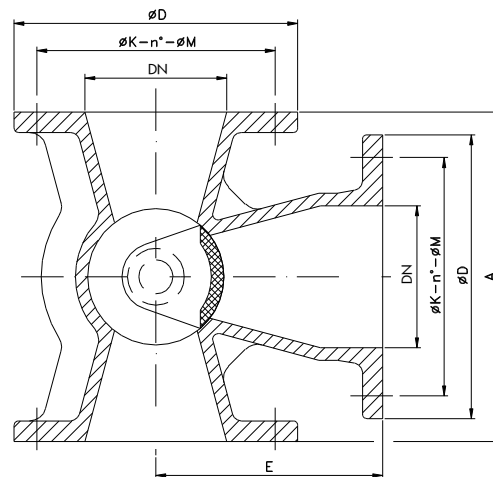
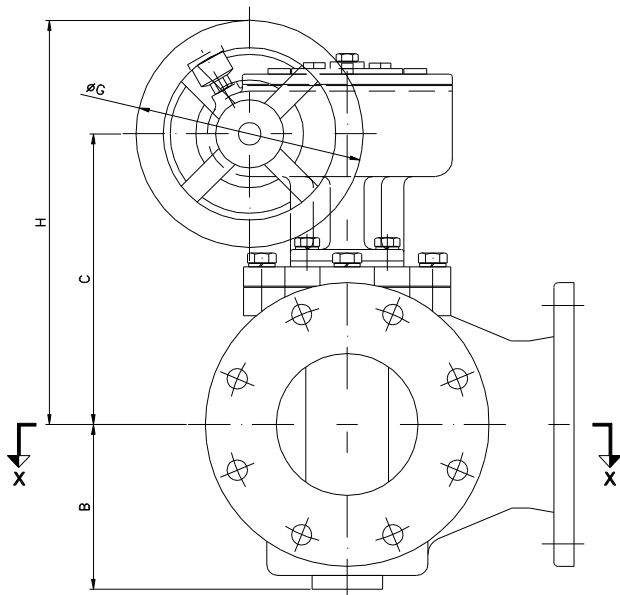
3/4V_2

MODEL

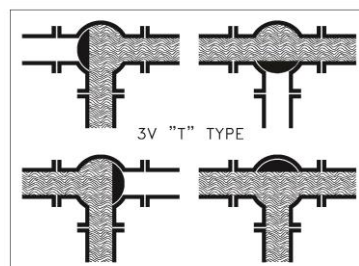
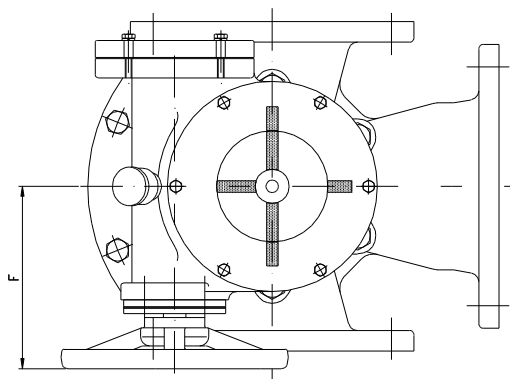
3/4V



3V TYPE "T"

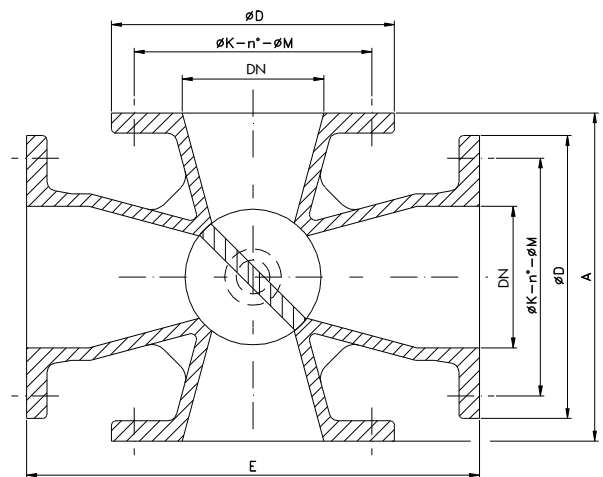
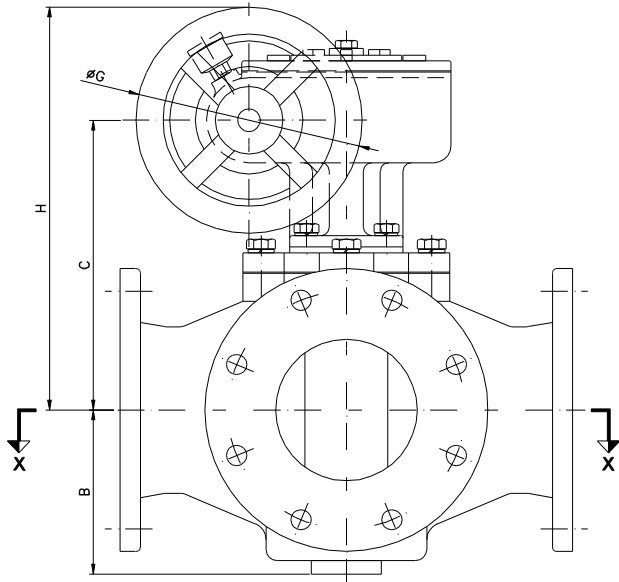


SECTION X-X

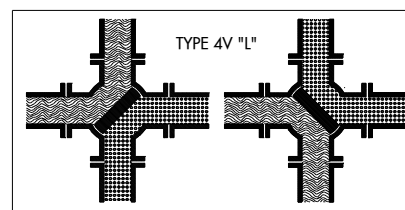
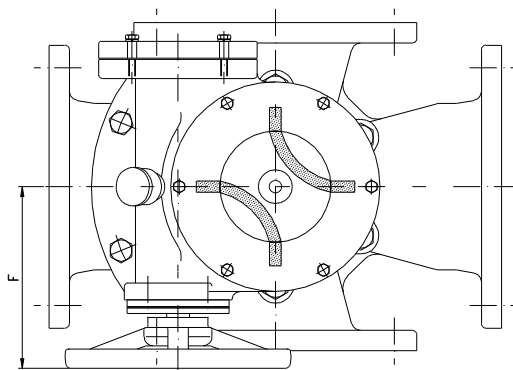


3V "T" TYPE

DN	A	B	C	ØD	E	F	ØG	H
80	200	127	250	200	137,5	192	225	350
100	250	128	250	220	162,5	192	225	350
125	290	145	265	250	200	192	225	365
150	290	165	285	285	200	192	225	385
200	345	210	335	340	225	192	225	435
250	415	250	425	395	272,5	180	225	550
300	470	294	450	445	287,5	180	225	575

MODEL**3/4V****4V TYPE "L"**

SECTION X-X



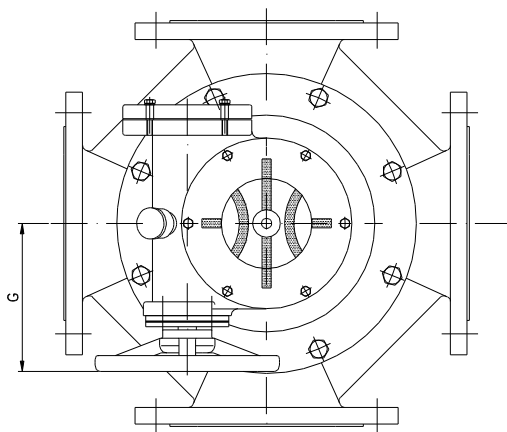
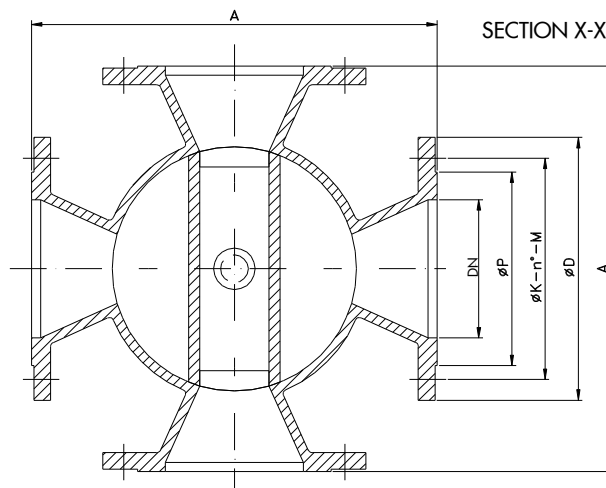
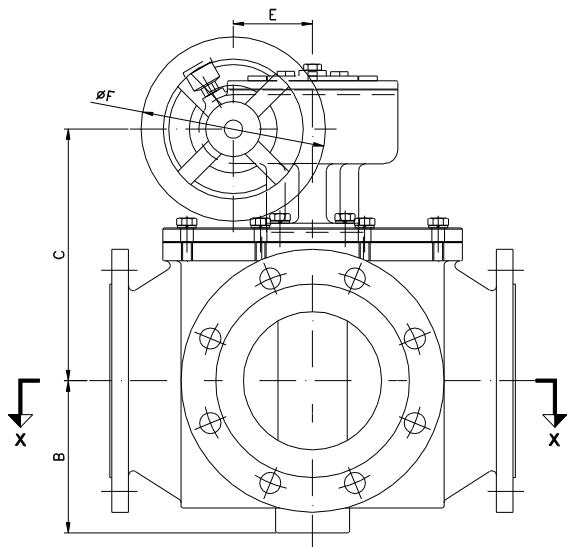
DN	A	B	C	ØD	E	F	ØG	H
80	200	127	250	200	275	192	225	350
100	250	128	250	220	325	192	225	350
125	290	145	265	250	400	192	225	365
150	290	165	285	285	400	192	225	385
200	345	210	335	340	450	192	225	435
250	415	250	425	395	545	180	225	550
300	470	294	450	445	575	180	225	575

MODEL

3/4V



4V TYPE "B"

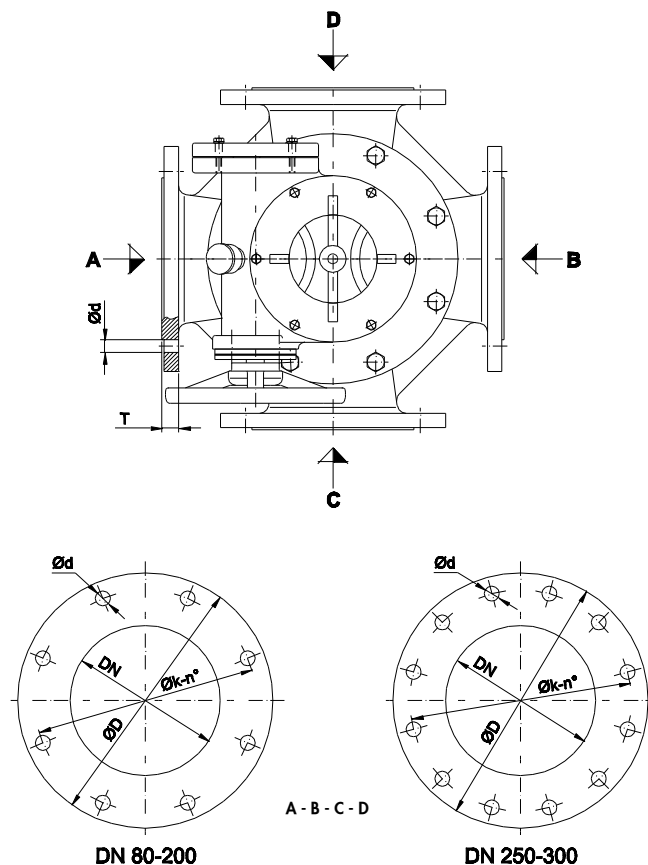


DN	A	B	C	ØD	E	ØF	G	ØP
80	280	105	221	200	86	225	192	132
100	330	128	232	220	86	225	192	152
125	380	145	261	250	86	225	192	180
150	440	165	273	285	86	225	262	210
200	550	204	312	340	86	225	262	250
250	650	231	348	395	86	225	173	320

MODEL

3/4V

FLANGE AND BOLTING DETAILS TYPE "B" TYPE B



EN 1092-2 PN 10

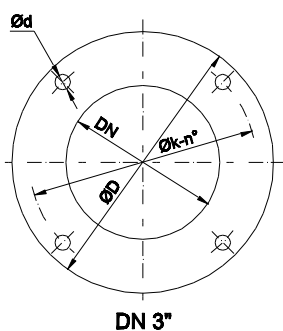
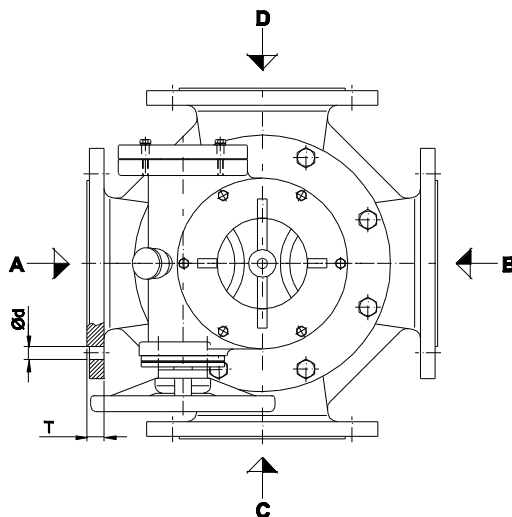
DN	D	K	n°	Ød	T
80	200	160	8	18	15
100	220	180	8	18	18
125	250	210	8	18	20
150	285	240	8	23	20
200	340	295	8	23	20
250	395	350	12	23	20
300	445	400	12	23	22

MODEL

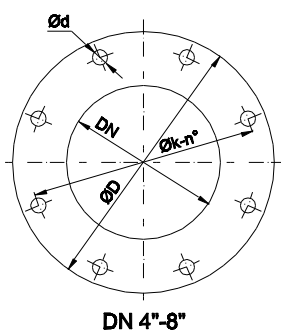
3/4V



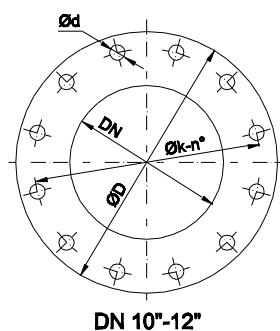
FLANGE AND BOLTING DETAILS TYPE "B"



DN 3"



DN 4"-8"



DN 10"-12"

A - B - C - D



THROUGH HOLES

ANSI B16.5, class 150

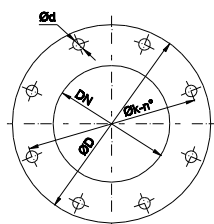
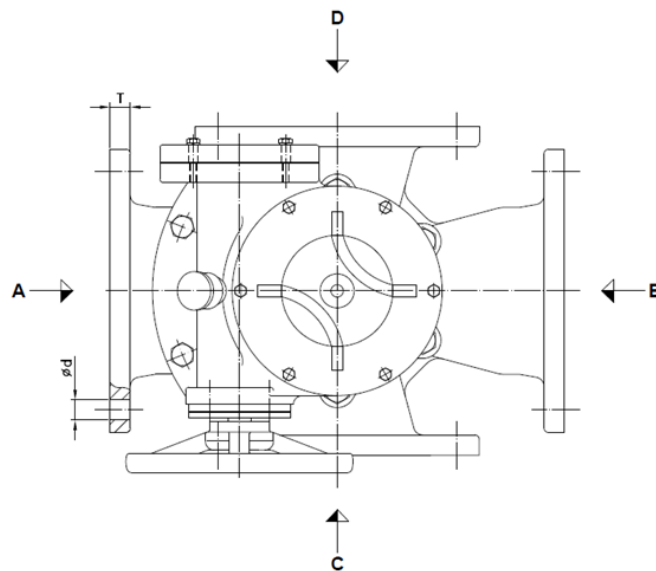
DN	D	K	n	Ød	T
3"	191	152,5	4	18	15
4"	229	190,5	8	18	18
5"	254	216	8	22	20
6"	279	241,5	8	22	20
8"	343	298,5	8	22	20
10"	406	362	12	25	20
12"	483	432	12	25	22

MODEL

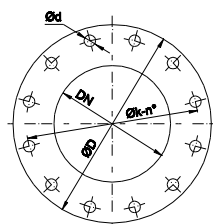
3/4V



FLANGE AND BOLTING DETAILS TYPE "L"/"T"

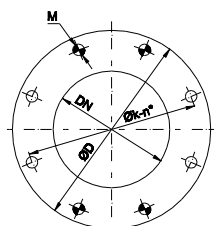


DN 80-200

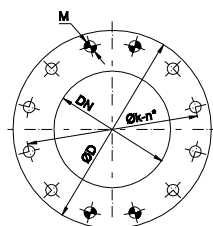


DN 250-300

A - B



DN 80-200



DN 250-300

C - D



BLIND TAPPED HOLES



THROUGH HOLES

EN 1092-2 PN 10

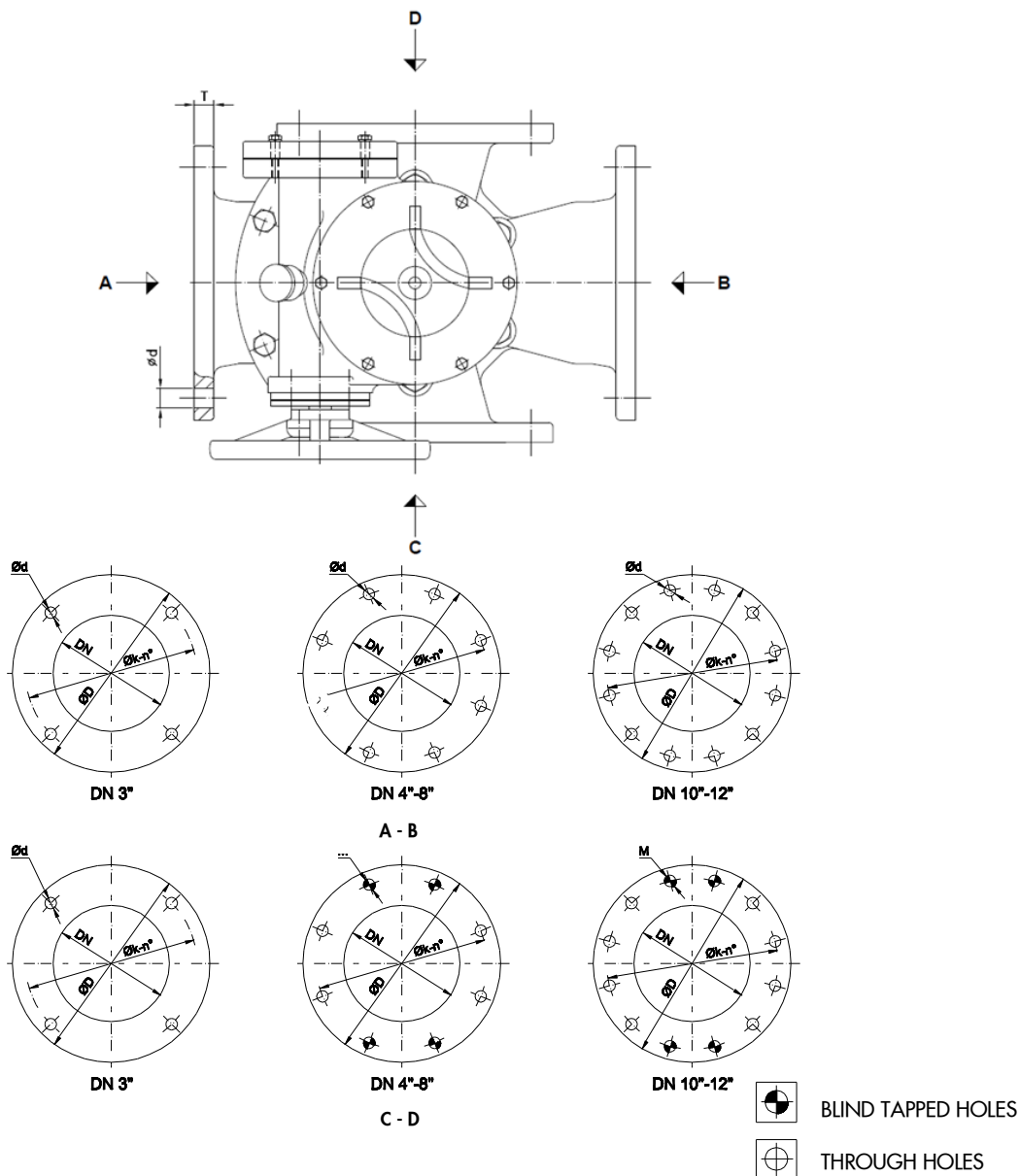
DN	D	K	n°	Ød	M	T
80	200	160	8	18	M-16	15
100	220	180	8	18	M-16	18
125	250	210	8	18	M-16	20
150	285	240	8	23	M-20	20
200	340	295	8	23	M-20	20
250	395	350	12	23	M-20	20
300	445	400	12	23	M-20	22

MODEL

3/4V



FLANGE AND BOLTING DETAILS TYPE "L"/"T"



ANSI B16.5, class 150

DN	D	K	n	Ød	M	T
3"	191	152,5	4	18	5/8" - 11 UNC	15
4"	229	190,5	8	18	5/8" - 11 UNC	18
5"	254	216	8	22	3/4" - 10 UNC	20
6"	279	241,5	8	22	3/4" - 10 UNC	20
8"	343	298,5	8	22	3/4" - 10 UNC	20
10"	406	362	12	25	7/8" - 9 UNC	20
12"	483	432	12	25	7/8" - 9 UNC	22